

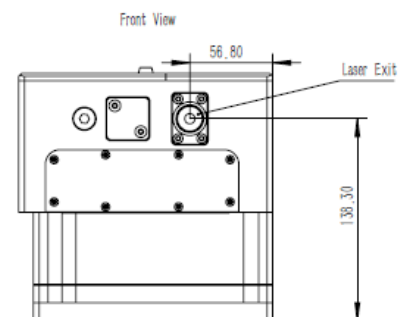
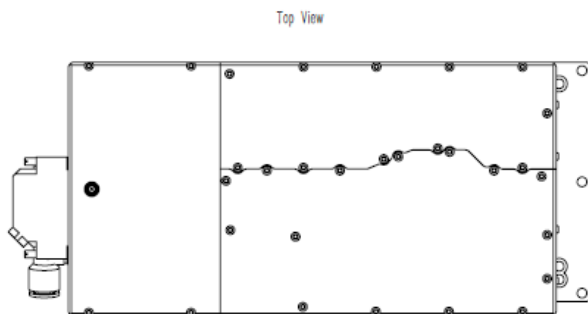
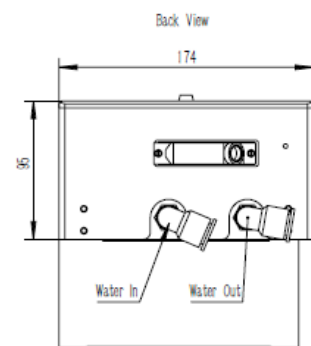
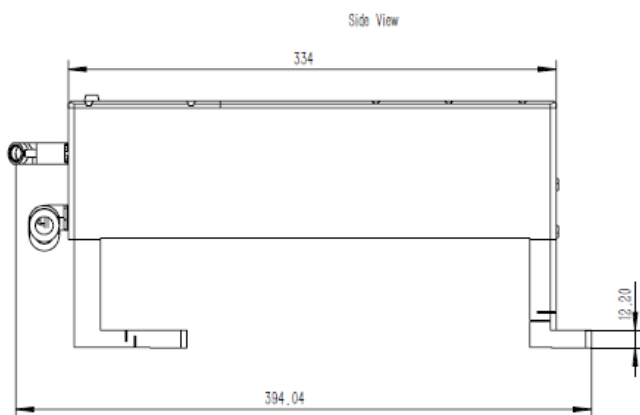
# Pallas Series

## CW Green Laser



Pallas series all-solid-state continuous green laser adopts all-diode pumping mode, water-cooled structure, the overall design is compact. The continuous adjustable range of 50mW-8W is supported while the spot parameters remain unchanged. Support 7x24 hours industrial continuous work, support remote control, easy user integration.

Pallas laser head dimension Unit: mm



### Features :

- P to P power stability < 2%
- 50mW - 8W tunable
- APC function
- 24x7 operation
- RS232 Remote control

### Applications :

- Ti:Sa pumping
- Dye laser pumping
- Wafer inspection
- Battery SE scribing
- Material processing

# Pallas Series

## CW Green Laser

### Laser parameters

Specifications	Pallas Series		
	Pallas-GR-4	Pallas-GR-6	Pallas-GR-8
Wavelength (nm)	532		
Output mode	CW		
Average Power(W)	4	6	8
Beam mode	TEM <sub>00</sub>		
Beam profile(M <sup>2</sup> )	≤1.1		
Beam diameter(mm)	2.3±0.3 (customizable)		
Power stability <sup>1</sup> (RMS)	<2%		
Polarization ratio	>100:1		
Beam circularity(%)	>90		
Pointing stability(μrad)	<50		
Beam divergence(mrad)	<0.5		

### General characteristics

Warm up time (mins)	<15
AC input	220VAC ±5% , 50/60 Hz
Power consumption	<0.5 kW
Cooling	Close loop water cooling
LD life time	>10000 hours
<b>Operations</b>	
Temperature	15-35°C
Humidity	<65%

### Remarks:

1. Room temperature change less than 3°C (average for 8 hours)

China  
Grace Laser Technology Co., Ltd.  
Building 16, No.8 Anping North Street, Shunyi  
District, Beijing 101318 China  
Tel: +86 010  
60401920 Fax: +86 010 60401720 Email: sales@gracelaser.com  
www.gracelaser.com

